

QUALITY | SERVICE | INNOVATION



TOPENERGYS Electronic CO., LTD

6th Floor, Heshengteng Industrial park
Shenzhen city Guangdong province, China.

Mob: +86 135 3753 7653

Skype: qiangqiangnike

Whatsapp/wechat +86 135 3753 7653

<https://topenergys.en.made-in-china.com/>

The 'topenergys' logo, featuring the word 'topenergys' in a green, lowercase, sans-serif font. The letter 'o' is replaced by a stylized green sun with rays, and the letter 'g' has a small green leaf-like shape above it.

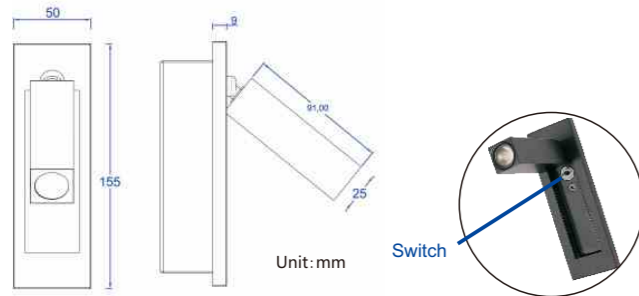
Bespoke Hotel Room Lamps Manufacturer



Recessed Series 01



Code : TP-BH-001
 Input : AC100~240V
 LED : **CREE** XPE 1~3W
 CCT : 2700K/3000K/4000K
 Beam Angle : 30° or customized
 Lumen : 120lm
 Driver : UL/SAA/TUV/CE listed
 Plug : Hard wired or custom wall plug
 Installation : Recessed into wall/headboard
 Switch : Dock switch under head
 Finish : Matt black, matt white, chrome, satin nickel
 matt nickel, brushed brass, black bronze etc.



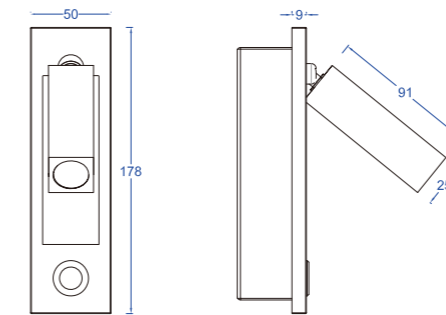
Cutout size : L130 x W40 x H50mm



Recessed Series 02

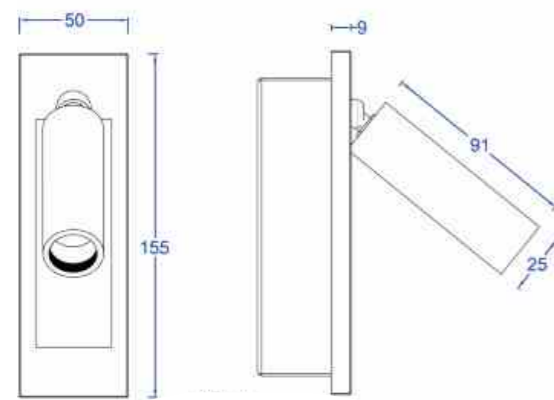


Code : TP-BH-011
 Input : AC100~240V
 LED : **CREE** XPE 1~3W
 CCT : 2700K/3000K/4000K
 Beam Angle : 30° or customized
 Lumen : 120lm
 Driver : UL/SAA/TUV/CE listed
 Plug : Hard wired or custom wall plug
 Installation : Recessed into wall/headboard
 Switch : Metal push switch on plate
 Finish : Matt black, matt white, chrome, satin nickel
 matt nickel, brushed brass, black bronze etc.



Cutout size: L160 x W40 x H60mm

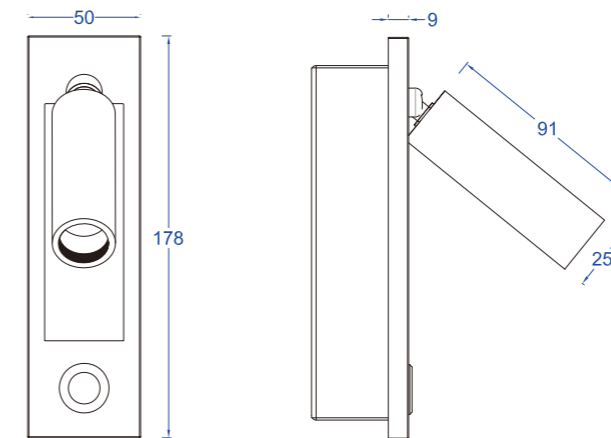
Unit:mm



Cutout size : L130 x W40 x H50mm

Unit:mm

Code : TP-BH-006
 Input : AC100~240V
 LED : **CREE** XPE 1~3W
 CCT : 2700K/3000K/4000K
 Beam Angle : 30° or customized
 Lumen : 120lm
 Driver : UL/SAA/TUV/CE listed
 Plug : Hard wired or custom wall plug
 Installation : Recessed into wall/headboard
 Switch : Dock switch under head
 Finish : Matt black, matt white, chrome, satin nickel
 matt nickel, brushed brass, black bronze etc.



Cutout size: L160 x W40 x H60mm

Unit:mm

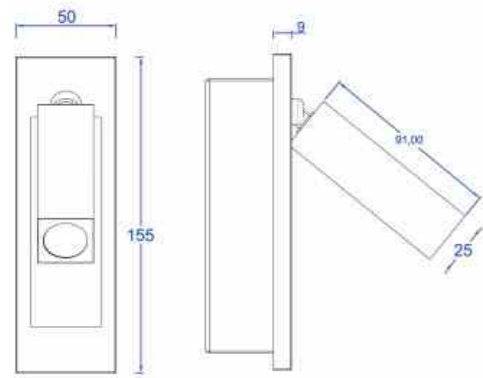
Code : TP-BH-016
 Input : AC100~240V
 LED : **CREE** XPE 1~3W
 CCT : 2700K/3000K/4000K
 Beam Angle : 30° or customized
 Lumen : 120lm
 Driver : UL/SAA/TUV/CE listed
 Plug : Hard wired or custom wall plug
 Installation : Recessed into wall/headboard
 Switch : Metal push switch on plate
 Finish : Matt black, matt white, chrome, satin nickel
 matt nickel, brushed brass, black bronze etc.



Recessed Series 03



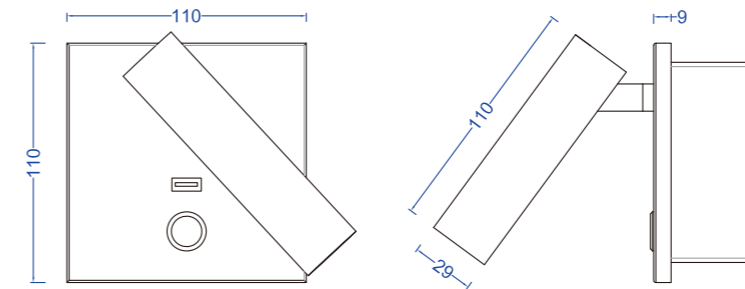
Code : TP-BH-002
 Input : AC100~240V
 LED : **CREE** XPE 1~3W
 CCT : 2700K/3000K/4000K
 Beam Angle : 30° or customized
 Lumen : 120lm
 USB Outlet : 5V 2.1A fast charger
 Driver : UL/SAA/TUV/CE listed
 Plug : Hard wired or custom wall plug
 Installation : Recessed into wall/headboard
 Switch : Dock switch under head
 Finish : Matt black, matt white, chrome, satin nickel
 matt nickel, brushed brass, black bronze etc.



Cutout size : L130 x W40 x H42mm Unit:mm



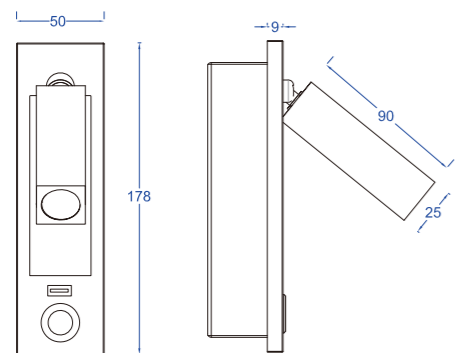
Recessed Series 04



Cutout size : L95xW65 xH50mm

Unit:mm

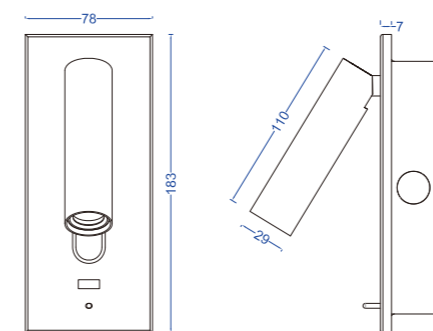
Code : TP-BH-028
 Input : AC100~240V
 LED : **CREE** XPE 1~3W
 CCT : 2700K/3000K/4000K
 Beam Angle : 30° or customized
 Lumen : 120lm
 Driver : UL/SAA/TUV/CE listed
 Plug : Hard wired or custom wall plug
 Installation : Recessed into wall/headboard
 Switch : Metal push switch on plate
 USB Outlet : 5V 2.1A fast charger
 Finish : Matt black, matt white, chrome, satin nickel
 matt nickel, brushed brass, black bronze etc.



Cutout size : L160x W40 xH60mm

Unit:mm

Code : TP-BH-017
 Input : AC100~240V
 LED : **CREE** XPE 1~3W
 CCT : 2700K/3000K/4000K
 Beam Angle : 30° or customized
 Lumen : 120lm
 Driver : UL/SAA/TUV/CE listed
 Plug : Hard wired or custom wall plug
 Installation : Recessed into wall/headboard
 Switch : Metal push switch on plate
 USB Outlet : 5V 2.1A fast charger
 Finish : Matt black, matt white, chrome, satin nickel
 matt nickel, brushed brass, black bronze etc.



Cutout size : L155 x W55 x H40mm

Unit:mm

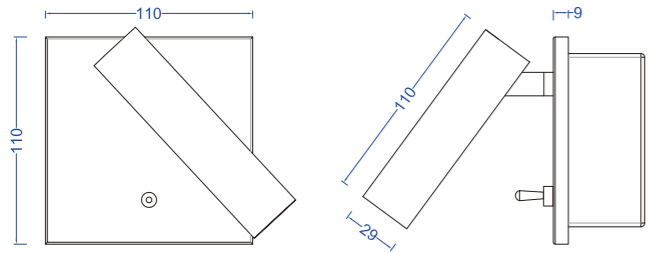
Code : TP-BH-035
 Input : AC100~240V
 LED : **CREE** XPE 1~3W
 CCT : 2700K/3000K/4000K
 Beam Angle : 30° or customized
 Lumen : 120lm
 Driver : UL/SAA/TUV/CE listed
 Plug : Hard wired or custom wall plug
 Installation : Recessed into wall/headboard
 Switch : Toggle switch on plate
 USB Outlet : 5V 2.1A fast charger
 Finish : Matt black, matt white, chrome, satin nickel
 matt nickel, brushed brass, black bronze etc.



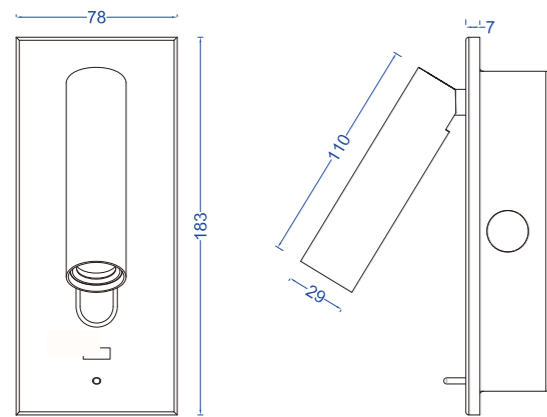
Recessed Series 05



Code : TP-BH-029
 Input : AC100~240V
 LED : **CREE** XPE 1~3W
 CCT : 2700K/3000K/4000K
 Beam Angle : 30° or customized
 Lumen : 120lm
 Driver : UL/SAA/TUV/CE listed
 Plug : Hard wired or custom wall plug
 Installation : Recessed into wall/headboard
 Switch : Toggle switch on plate
 Finish : Matt black, matt white, chrome, satin nickel
 matt nickel, brushed brass, black bronze etc.



Cutout size : L95 x W60 x H40mm Unit:mm



Cutout size : L155 x W55 x H40mm Unit:mm

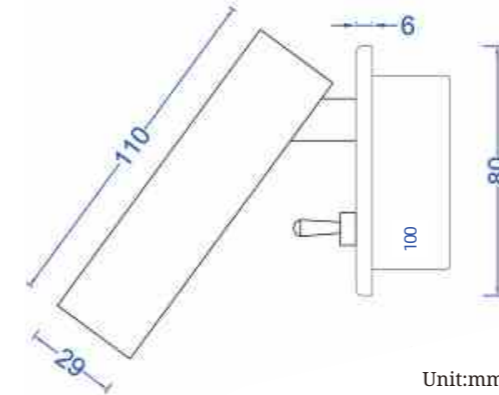
Code : TP-BH-034
 Input : AC100~240V
 LED : **CREE** XPE 1~3W
 CCT : 2700K/3000K/4000K
 Beam Angle : 30° or customized
 Lumen : 120lm
 Driver : UL/SAA/TUV/CE listed
 Plug : Hard wired or custom wall plug
 Installation : Recessed into wall/headboard
 Switch : Toggle switch on plate
 Finish : Matt black, matt white, chrome, satin nickel
 matt nickel, brushed brass, black bronze etc.



Recessed Series 06



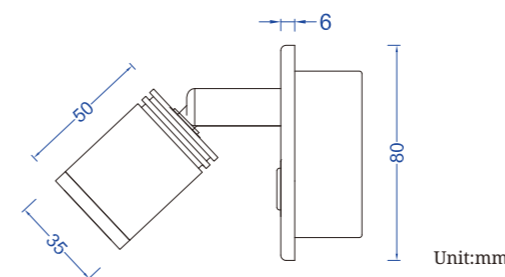
Code : TP-BH-030
 Input : AC100~240V
 LED : **CREE** XPE 1~3W
 CCT : 2700K/3000K/4000K
 Beam Angle : 30° or customized
 Lumen : 120lm
 Driver : UL/SAA/TUV/CE listed
 Plug : Hard wired or custom wall plug
 Installation : Recessed into wall/headboard
 Switch : Toggle switch on plate
 Finish : Matt black, matt white, chrome, satin nickel
 matt nickel, brushed brass, black bronze etc.



Cutout size : D70 x H50mm



Code : TP-BH-059
 Input : AC100~240V
 LED : **CREE** XPE 1~3W
 CCT : 2700K/3000K/4000K
 Beam Angle : 30° or customized
 Lumen : 120lm
 Driver : UL/SAA/TUV/CE listed
 Plug : Hard wired or custom wall plug
 Installation : Recessed into wall/headboard
 Switch : Metal push switch on plate
 Finish : Matt black, matt white, chrome, satin nickel
 matt nickel, brushed brass, black bronze etc.



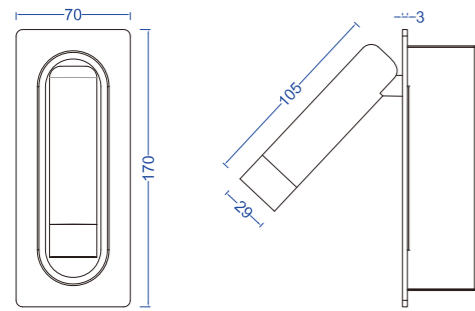
Cutout size : D50 x H50mm



Recessed Series 07



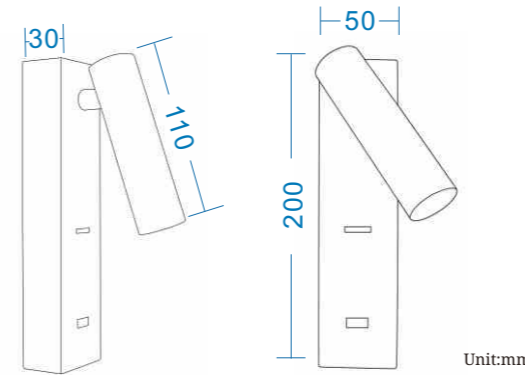
Code : TP-BH-041
Input : AC100~240V
LED : CREE XPE 1~3W
CCT : 2700K/3000K/4000K **Switch**
Beam Angle : 30° or customized
Lumen : 120lm
Driver : UL/SAA/TUV/CE listed
Plug : Hard wired or custom wall plug
Installation : Recessed into wall/headboard
Switch : Dock switch under head
Finish : Matt black, matt white, chrome, satin nickel
 matt nickel, brushed brass, black bronze etc.



Cutout size : L150 x W55 x H45mm Unit:mm

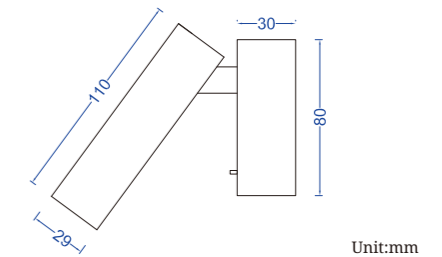
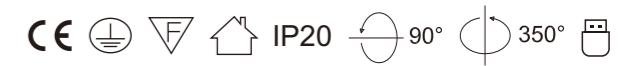


Surfaced Series 08



Unit:mm

Code : TP-BH-019
Input : AC100~240V
LED : CREE XPE 1~3W
CCT : 2700K/3000K/4000K
Beam Angle : 30° or customized
Lumen : 120lm
Driver : UL/SAA/TUV/CE listed
Plug : Hard wired or custom wall plug
Installation : Surface mounted
Switch : BJB Switch on plate
USB Outlet : 5V 2.1A fast charger
Finish : Matt black, matt white, chrome, satin nickel
 matt nickel, brushed brass, black bronze etc.

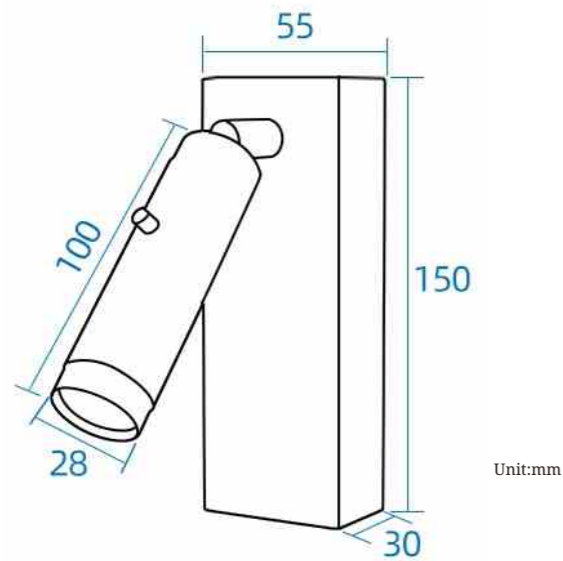


Unit:mm

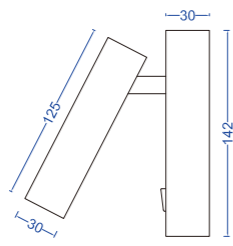
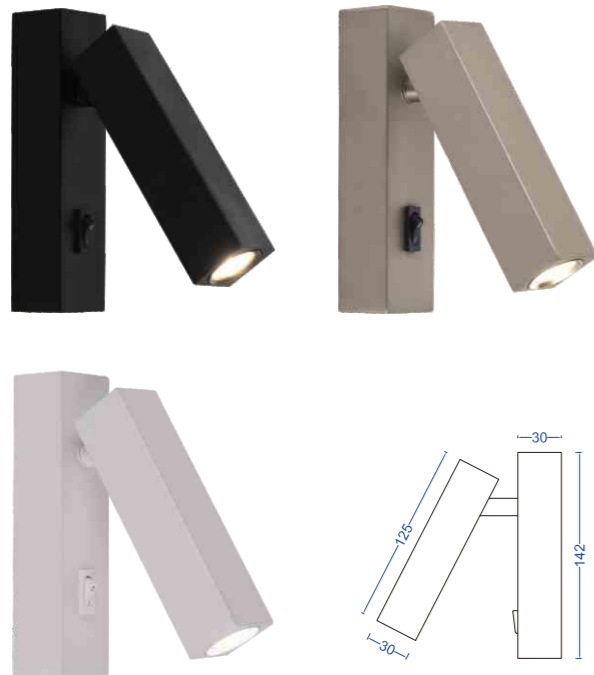
Code : TP-BH-021
Input : AC100~240V
LED : CREE XPE 1~3W
CCT : 2700K/3000K/4000K
Beam Angle : 30° or customized
Lumen : 120lm
Driver : UL/SAA/TUV/CE listed
Plug : Hard wired or custom wall plug
Installation : Surface mounted
Switch : BJB Switch on plate
Finish : Matt black, matt white, chrome, satin nickel
 matt nickel, brushed brass, black bronze etc.



Sursaced Series 09



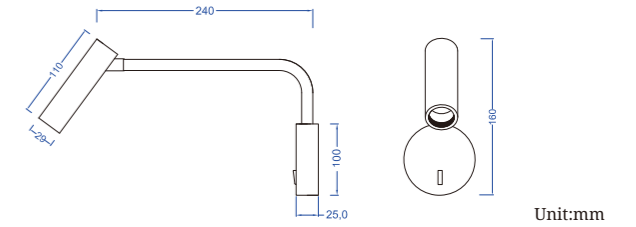
Code : TP-BH-026
 Input : AC100~240V
 LED : CREE XPE 1~3W
 CCT : 2700K/3000K/4000K
 Beam Angle : 30° or customized
 Lumen : 120lm
 Driver : UL/SAA/TUV/CE listed
 Plug : Hard wired or custom wall plug
 Installation : Surface mounted
 Switch : Push switch on head
 USB Outle : 5V 2.1A fast charger
 Finish : Matt black, brushed brass, chrome, satin nickel



Code : TP-BH-027
 Input : AC100~240V
 LED : CREE XPE 1~3W
 CCT : 2700K/3000K/4000K
 Beam Angle : 30° or customized
 Lumen : 120lm
 Driver : UL/SAA/TUV/CE listed
 Plug : Hard wired or custom wall plug
 Installation : Surface mounted
 Switch : rocker switch on plate
 Finish : Matt black, matt white, chrome, satin nickel, matt nickel, brushed brass, black bronze etc.



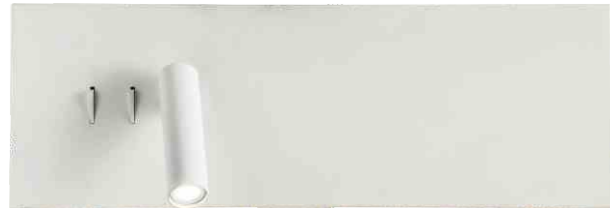
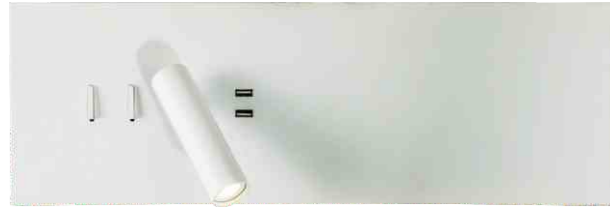
Sursaced Series 10



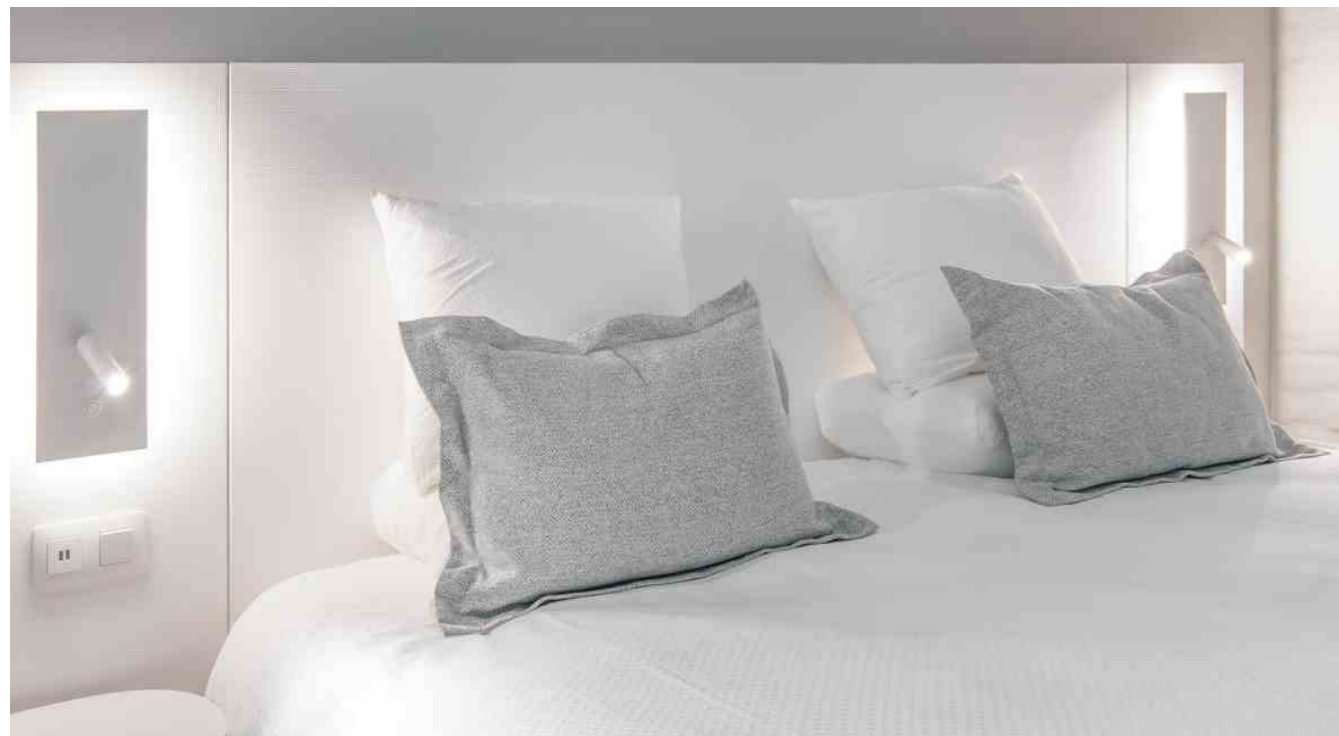
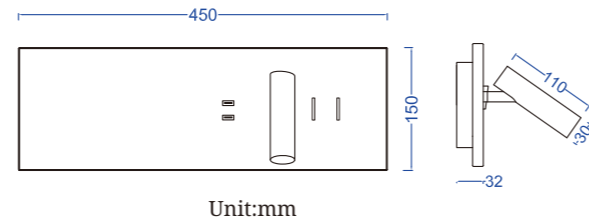
Code : TP-BH-063
 Input : AC100~240V
 LED : CREE XPE 1~3W
 CCT : 2700K/3000K/4000K
 Beam Angle : 30° or customized
 Lumen : 120lm
 Driver : UL/SAA/TUV/CE listed
 Plug : Hard wired or custom wall plug
 Installation : Surface mounted
 Switch : Slim rocker switch on plate
 Finish : Matt black, matt white, chrome, satin nickel, matt nickel, brushed brass, black bronze etc.



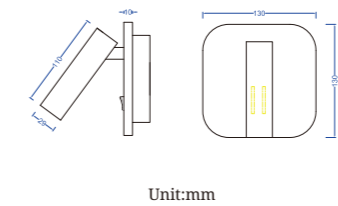
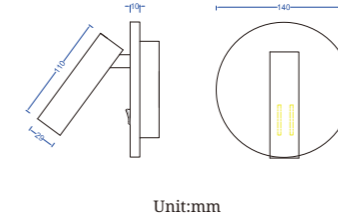
Backlight Series 11



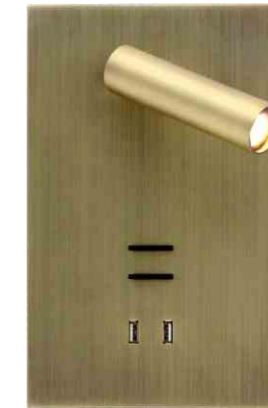
Code : TP-BH-064
 Input : AC100~240V
 LED : **CREE** XPE 1~3W / 6W SMD back mood
 CCT : 2700K/3000K/4000K
 Beam Angle : 30° or customized
 Lumen : 120 lm for reading light
 Driver : UL/SAA/TUV/CE listed
 Plug : Hard wired or custom wall plug
 Installation : Surface mounted
 Switch : Twin BJB switch on plate
 USB Outlet : Twin 5V 2.1A fast charger
 Finish : Matt black, matt white, chrome, wood grain, satin nickel, matt nickel, brushed brass, etc.



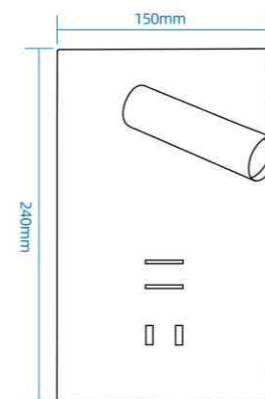
Backlight Series 12



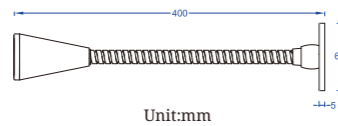
Code : TP-BH-066/067
 Input : AC100~240V
 LED : **CREE** XPE 1~3W / 6W SMD back mood
 CCT : 2700K/3000K/4000K
 Beam Angle : 30° or customized
 Lumen : 120 lm for reading light
 Driver : UL/SAA/TUV/CE listed
 Plug : Hard wired or custom wall plug
 Installation : Surface mounted
 Switch : Twin BJB switch on plate
 Finish : Matt black, matt white, chrome, wood grain, satin nickel, matt nickel, brushed brass, etc.



Code : TP-BH-070
 Input : AC100~240V
 LED : **CREE** XPE 1~3W
 CCT : 2700K/3000K/4000K
 Beam Angle : 30° or customized
 Lumen : 120lm
 Driver : UL/SAA/TUV/CE listed
 Plug : Hard wired or custom wall plug
 Installation : Surface mounted
 Switch : Twin BJB switch on plate
 USB Outlet : 5V 2.1A fast charger
 Finish : Matt black, matt white, chrome, satin nickel

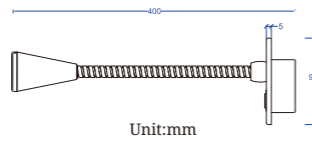


Soft wand Series 13



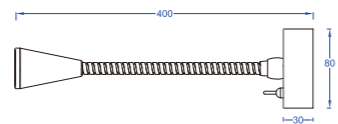
Unit:mm
Cutout size : D40 x H50mm

Code : TP-BH-050
Input : AC100~240V
LED : CREE XPE 1~3W
CCT : 2700K/3000K/4000K
Beam Angle : 30°or customized
Lumen : 120lm
Driver : UL/SAA/TUV/CE listed
Plug : Hard wired
Installation : Recessed
Switch : No switch
Finish : Matt black, matt white, chrome, satin nickel, matt nickel, etc.



Unit:mm
Cutout size : D50 x H50mm

Code : TP-BH-051
Input : AC100~240V
LED : CREE XPE 1~3W
CCT : 2700K/3000K/4000K
Beam Angle : 30°or customized
Lumen : 120lm
Driver : UL/SAA/TUV/CE listed
Plug : Hard wired
Installation : Recessed
Switch : Metal push switch on plate
Finish : Matt black, matt white, chrome, satin nickel, matt nickel, etc.

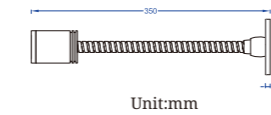


Unit:mm

Code : TP-BH-052
Input : AC100~240V
LED : CREE XPE 1~3W
CCT : 2700K/3000K/4000K
Beam Angle : 30°or customized
Lumen : 120lm
Driver : UL/SAA/TUV/CE listed
Plug : Hard wired
Installation : Surface mounted
Switch : Toggle switch on plate
Finish : Matt black, matt white, chrome, satin nickel, matt nickel, etc.

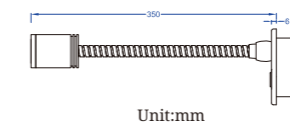


Soft wand Series 14



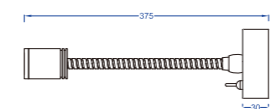
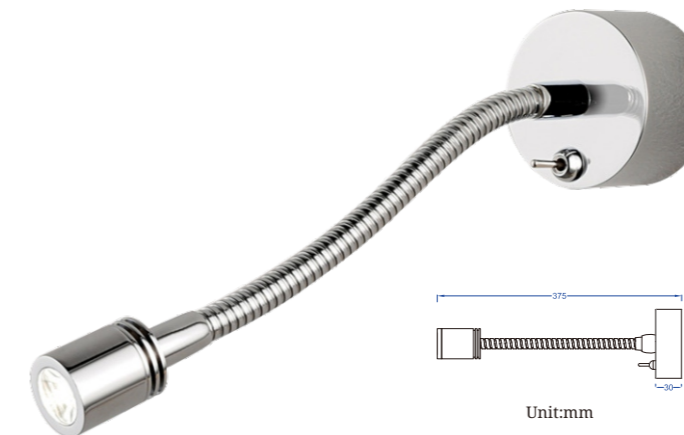
Unit:mm
Cutout size : D40 x H50mm

Code : TP-BH-054
Input : AC100~240V
LED : CREE XPE 1~3W
CCT : 2700K/3000K/4000K
Beam Angle : 30°or customized
Lumen : 120lm
Driver : UL/SAA/TUV/CE listed
Plug : Hard wired
Installation : Recessed
Switch : No switch
Finish : Matt black, matt white, chrome, satin nickel, matt nickel, etc.



Unit:mm
Cutout size : D50 x H50mm

Code : TP-BH-055
Input : AC100~240V
LED : CREE XPE 1~3W
CCT : 2700K/3000K/4000K
Beam Angle : 30°or customized
Lumen : 120lm
Driver : UL/SAA/TUV/CE listed
Plug : Hard wired
Installation : Recessed
Switch : Metal push switch on plate
Finish : Matt black, matt white, chrome, satin nickel, matt nickel, etc.



Unit:mm

Code : TP-BH-056
Input : AC100~240V
LED : CREE XPE 1~3W
CCT : 2700K/3000K/4000K
Beam Angle : 30°or customized
Lumen : 120lm
Driver : UL/SAA/TUV/CE listed
Plug : Hard wired
Installation : Surface mounted
Switch : Toggle switch on plate
Finish : Matt black, matt white, chrome, satin nickel, matt nickel, etc.

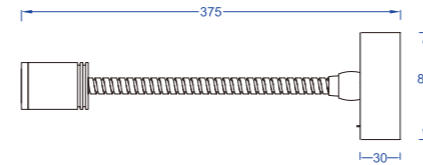


Soft wand Series 15



Code : TP-BH-057
Input : AC100~240V
LED : CREE XPE 1~3W
CCT : 2700K/3000K/4000K
Beam Angle : 30°or customized
Lumen : 120lm
Driver : UL/SAA/TUV/CE listed
Plug : Hard wired
Installation : Surface mounted
Switch : Slim rocker switch on plate
Finish : Matt black, matt white, chrome, satin nickel, matt nickel, brushed brass, black bronze etc.

CE IP20

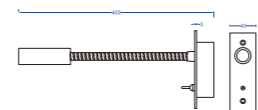


Unit:mm



Code : TP-BH-058
Input : AC100~240V
LED : CREE XPE 1~3W
CCT : 2700K/3000K/4000K
Beam Angle : 30°or customized
Lumen : 120lm
Driver : UL/SAA/TUV/CE listed
Plug : Hard wired
Installation : Surface mounted
Switch : Toggle switch on plate
Finish : Matt black, matt white, chrome, satin nickel, matt nickel, brushed brass, black bronze etc.

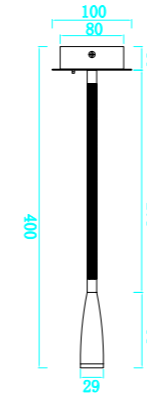
CE IP20



Unit:mm

Cutout size : L100x30 x30mm

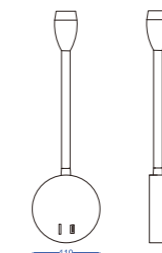
Soft wand Series 16



Unit:mm

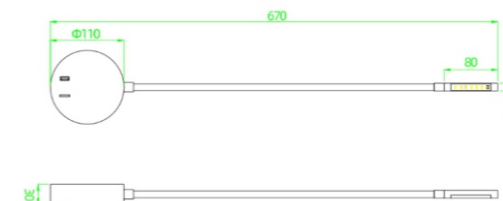
Code : TP-BH-037
Input : AC100~240V
LED : CREE XPE 1~3W
CCT : 2700K/3000K/4000K
Beam Angle : 30°or customized
Lumen : 120lm
Driver : UL/SAA/TUV/CE listed
Plug : Hard wired or custom wall plug
Installation : Surface mounted
Switch : BJB Switch on plate
Finish : Brushod brass,black bronze etc

CE IP20 90° 350°



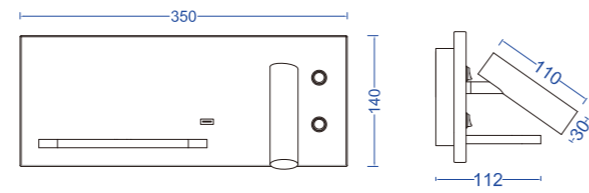
Unit:mm

Code : TP-BH-049 /050
Input : AC100~240V
LED : CREE XPE 1~3W
CCT : 2700K/3000K/4000K
Beam Angle : 30°or customized
Lumen : 120lm
Driver : UL/SAA/TUV/CE listed
Plug : Hard wired
Installation : Surface mounted
Switch : BJB Switch on plate
Finish : Matt black, matt white, chrome,satin nickel, matt nickel, brushed brass, black bronze etc.
USB Outle : 5V 2.1A fast charger



CE IP20

Wall Shelf Series 17



Unit:mm

- Code :** TP-BH-065
- Input :** AC100~240V
- LED :** CREE XPE 1~3W / 6W SMD back mood
- CCT :** 2700K/3000K/4000K
- Beam Angle :** 30° or customized
- Lumen :** 120 lm for reading light
- Driver :** UL/SAA/TUV/CE listed
- Plug :** Hard wired or custom wall plug
- Installation :** Surface mounted
- Switch :** Round rocker switch on plate
- USB Outlet :** Twin 5V 2.1A fast charger
- Shelf :** 5V 1A Wireless charger
- Finish :** Matt black, matt white, chrome, wood grain, satin nickel, matt nickel, brushed brass, etc.



Wall Shelf Series 18



INTIMATE DESIGN, TWO-WAY OPTIONAL



left

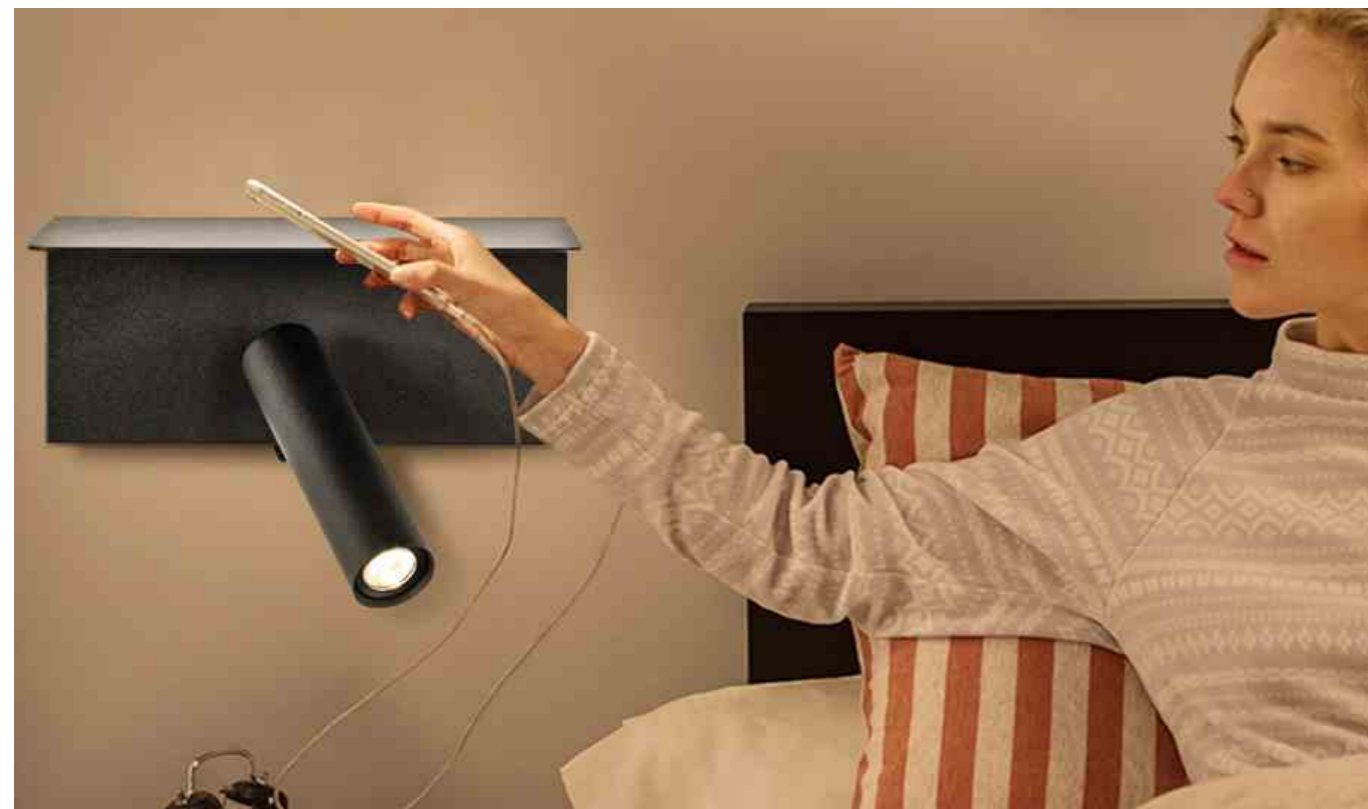


right

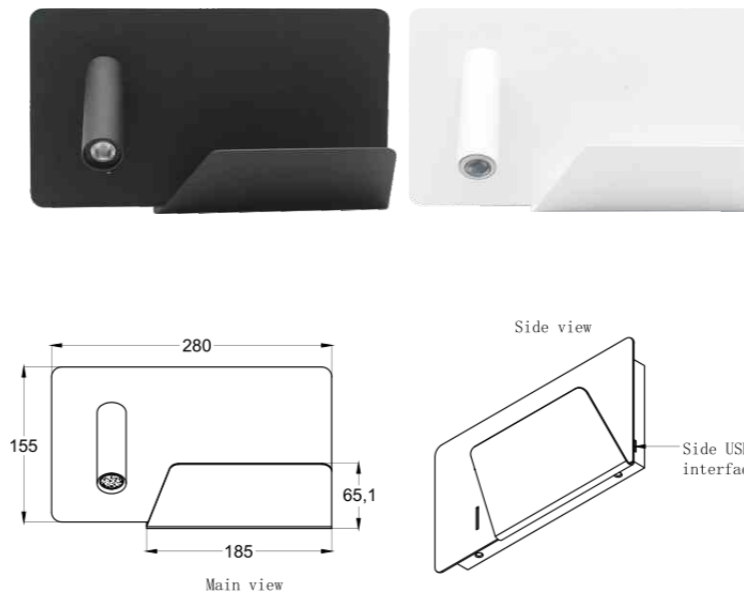
Wall Shelf Series 19



Code : TP-BH-071
Input : AC100~240V
LED : CREE XPE 1~3W
CCT : 2700K/3000K/4000K
Beam Angle : 30° or customized
Lumen : 120lm
Driver : UL/SAA/TUV/CE listed
Plug : Hard wired or custom wall plug
Installation : Recessed into wall/headboard
Switch : Metal push switch on plate
 BJB switch on plate
USB Outlet : 5V 2.1A fast charger
Finish : Matt black, matt white, chrome, satin nickel



Wall Shelf Series 20



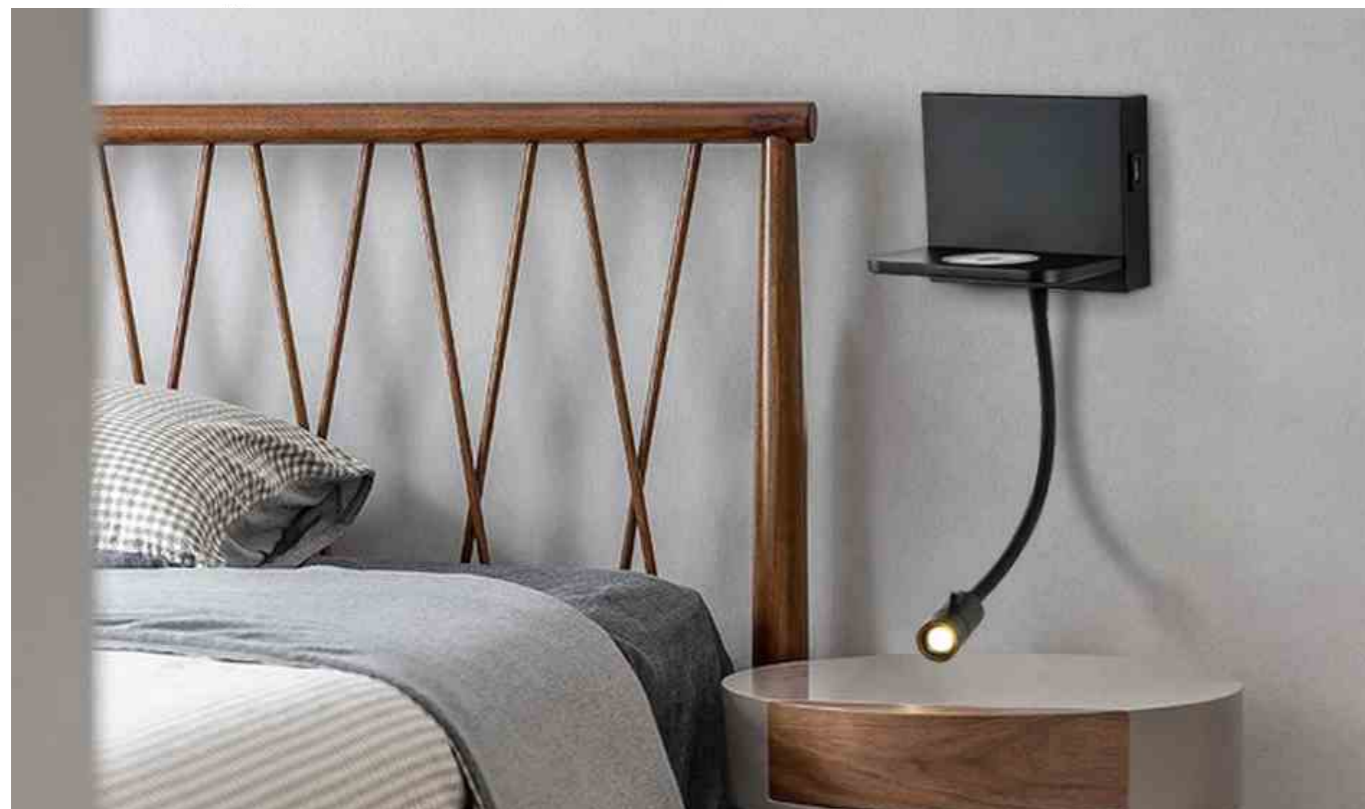
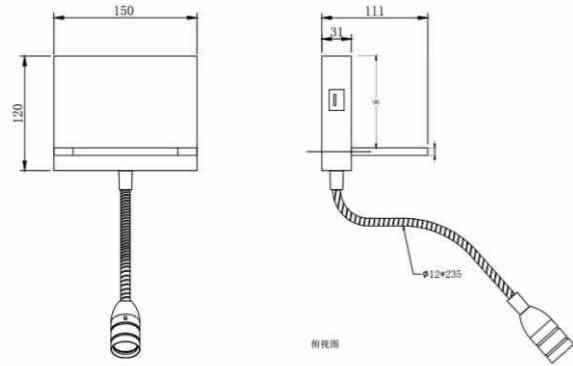
Code : TP-BH-072
Input : AC100~240V
LED : CREE XPE 1~3W
CCT : 2700K/3000K/4000K
Beam Angle : 30° or customized
Lumen : 120lm
Driver : UL/SAA/TUV/CE listed
Plug : Hard wired or custom wall plug
Installation : Recessed into wall/headboard
Switch : Metal push switch on plate
 Twin BJB switch on plate
USB Outlet : 5V 2.1A fast charger
Finish : Matt black, matt white, chrome, satin nickel



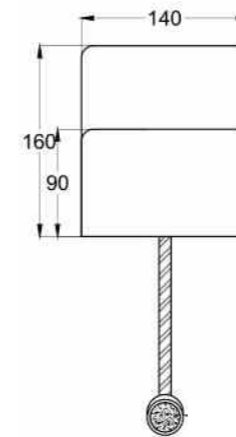
Wall Shelf Series 21



Code : TP-BH-073
Input : AC100~240V
LED : CREE XPE 1~3W
CCT : 2700K/3000K/4000K
Beam Angle : 30° or customized
Lumen : 120lm
Driver : UL/SAA/TUV/CE listed
Plug : Hard wired or custom wall plug
Installation : Recessed into wall/headboard
Switch : Metal push switch on plate
 Push switch on head
USB Outlet : 5V 2.1A fast charger
Finish : Matt black, matt white, chrome, satin nickel
Wireless charger : 5W on shelf



Wall Shelf Series 22



Code : TP-BH-074
Input : AC100~240V
LED : CREE XPE 1~3W
CCT : 2700K/3000K/4000K
Beam Angle : 30° or customized
Lumen : 120lm
Driver : UL/SAA/TUV/CE listed
Plug : Hard wired or custom wall plug
Installation : Surface mounted
Switch : Metal push switch on plate
 Touch sensor switch is available
USB Outlet : 5V 2.1A fast charger
Finish : Matt black, matt white, chrome, satin nickel

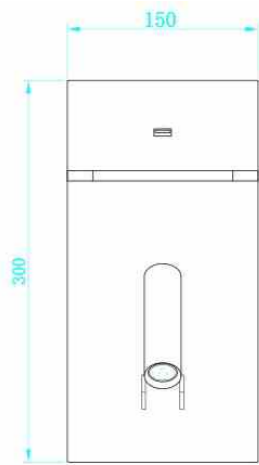


Wall Shelf Series 23

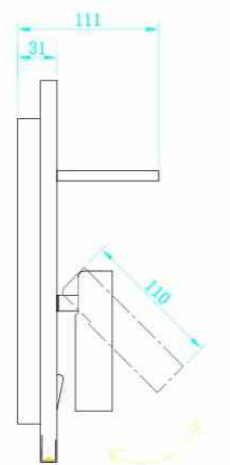


Code : TP-BH-075
Input : AC100~240V
LED : CREE XPE 1~3W
CCT : 2700K/3000K/4000K
Beam Angle : 30°or customized
Lumen : 120lm
Driver : UL/SAA/TUV/CE listed
Plug : Hard wired or custom wall plug
Installation : Recessed into wall/headboard
Switch : Metal push switch on plate
Twin BJB switch on plate
USB Outlet : 5V 2.1A fast charger
Finish : Matt black, matt white, chrome, satin nickel

CE    IP20  90°  350° 



Main View



Side View

Adjustable



Wall Shelf Series 24



(Qi)

WIRELESS CHARGING

Fabric Shade Series 25



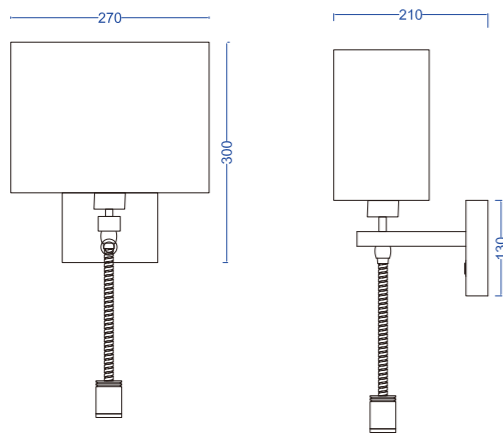
UNO-BH-042

Code : TP-BH-042/043
Input : AC100~240V
LED : CREE XPE 1~3W
CCT : 2700K/3000K/4000K
Beam Angle : 30° or customized
Lumen : 120lm
Mood Light : 1x E27 lamp max 40W
Shade : Fabric TBA
Driver : UL/SAA/TUV/CE listed
Plug : Hard wired
Installation : Surface mounted
Switch : Single metal push switch on plate
Finish : Chrome, satin nickel,
 black chrome, etc.

CE IP20

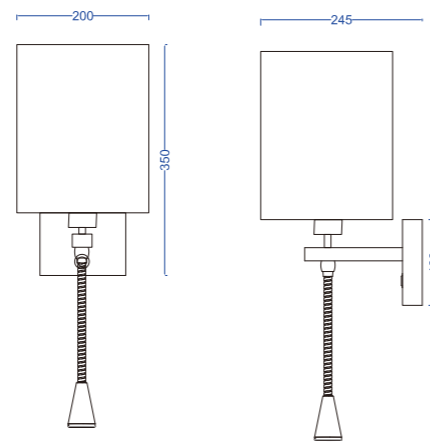


UNO-BH-043



UNO-BH-042

Unit:mm

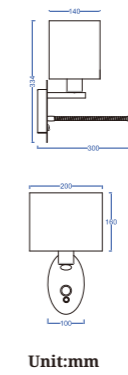


UNO-BH-043

Fabric Shade Series 26

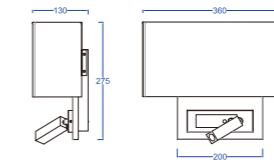


Code : TP-BH-046
Input : AC100~240V
LED : CREE XPE 1~3W
CCT : 2700K/3000K/4000K
Beam Angle : 30° or customized
Lumen : 120lm
Mood Light : 1x E27 lamp max 40W
Shade : Fabric TBA
Driver : UL/SAA/TUV/CE listed
Plug : Hard wired
Installation : Surface mounted
Switch : Single rocker switch for Reading
Finish : Chrome, satin nickel,
 black chrome, etc.



Unit:mm

CE IP20

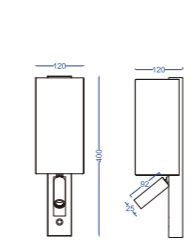


Unit:mm

UNO-BH-061

Code : TP-BH-061/062
Input : AC100~240V
LED : CREE XPE 1~3W
CCT : 2700K/3000K/4000K
Beam Angle : 30° or customized
Lumen : 120lm
Mood Light : 1x E27 lamp max 40W
Shade : Fabric TBA
Driver : UL/SAA/TUV/CE listed
Plug : Hard wired
Installation : Surface mounted
Finish : Chrome, satin nickel,
 black chrome, etc.

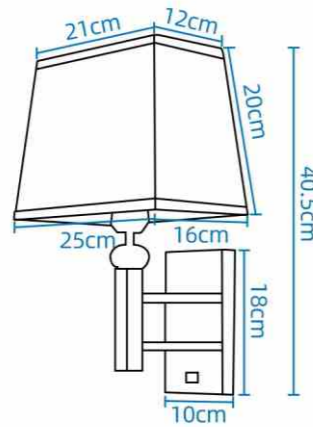
CE IP20



Unit:mm

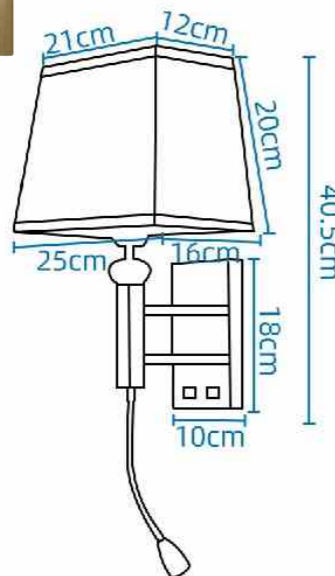
UNO-BH-062

Fabric Shade Series 27



Code : TP-BH-81
Input : AC100~240V
Lamp : E26/E27/B22 Max 60W
Plug : Hard wired or custom wall plug
Installation : Surface Mounted
Switch : Rocker Switch on plate
Material: stainless steel lamp body
 +beige linen Shade

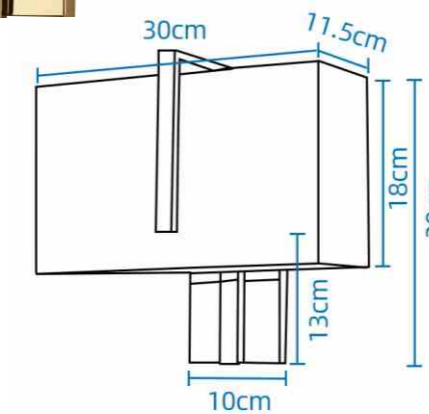
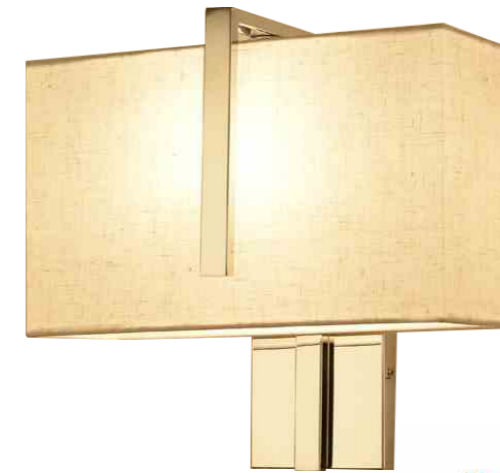
CE IP20



Code : TP-BH- 82
Input : AC100~240V
LED : CREE XPE 1~3W
Lamp : E26/E27/B22 Max 60W
CCT : 2700K/3000K/4000K
Beam Angle : 30° or customized
Lumen : 120lm
Driver : UL/SAA/TUV/CE listed
Plug : Hard wired or custom wall plug
Installation : Surface Mounted
Switch : Twin Rocker Switch on plate
Material: stainless steel lamp body
 +beige linen Shade

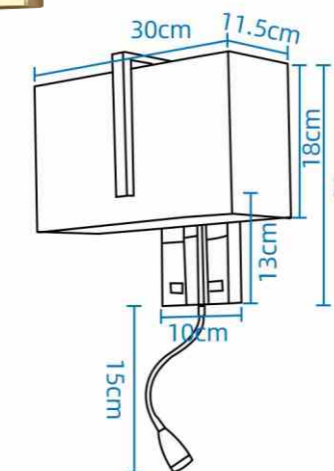
CE IP20

Fabric Shade Series 28



Code : TP-BH-83
Input : AC100~240V
Lamp : E26/E27/B22 Max 60W
Plug : Hard wired or custom wall plug
Installation : Surface Mounted
Switch : No Switch
Material: stainless steel lamp body
 +Linen fabric shade

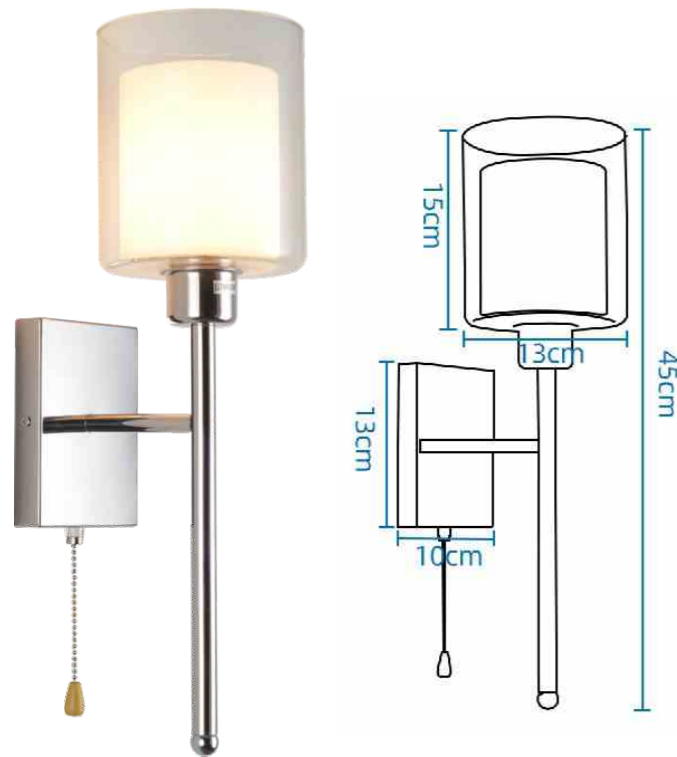
CE IP20



Code : TP-BH-84
Input : AC100~240V
LED : CREE XPE 1~3W
Lamp : E26/E27/B22 Max 60W
CCT : 2700K/3000K/4000K
Beam Angle : 30° or customized
Lumen : 120lm
Driver : UL/SAA/TUV/CE listed
Plug : Hard wired or custom wall plug
Installation : Surface Mounted
Switch : Twin Rocker Switch on plate
USB Outlet : 5V 2.1A fast charger
Material: stainless steel lamp body
 +Linen fabric shade

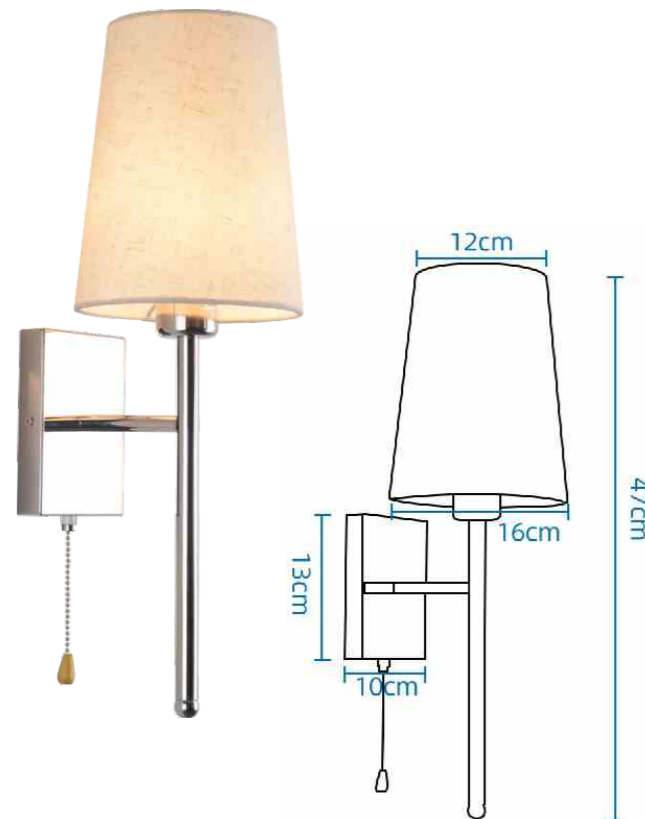
CE IP20

Fabric Shade Series 29



Code : TP-BH-85
Input : AC100~240V
Lamp : E27 Max 40W
Plug : Hard wired or custom wall plug
Installation : Surface Mounted
Switch : Chain Pull Switch
Finish : Bright polished
Material: stainless steel lamp body
+Glass Shade

CE ⚡ ⚠ ⏚ IP20



Code : TP-BH-86
Input : AC100~240V
Lamp : E27 Max 40W
Plug : Hard wired or custom wall plug
Installation : Surface Mounted
Switch : Chain Pull Switch
Finish : Bright polished
Material: stainless steel lamp body
+Glass Shade

CE ⚡ ⚠ ⏚ IP20

Fabric Shade Series 30



INSTALLATION INSTRUCTION

1. The installation of all electrical products should be undertaken with utmost care and qualified electrician should carry out the work to ensure compliance with any local wiring regulations.
 2. Always ensure that the mains electrical supply is disconnected before installing the light.
 3. Check the routing of electrical supply cable to avoid cutting it or damaging it during installation.
 4. Make all electrical connections in accordance with the instructions attached to the light, ensure all connections are not loose with wire parts properly covered.
 5. Ensure the light source is compatible with local voltage and follow any maximum wattage instructions shown on the light.
- If you have any questions regarding the installation of ZEROUNO lights, please contact ZEROUNO for assistance.

Collection Series 31



W:150MM S:210MM H:245MM

Code : TP-CL-W01
Input : AC100~240V
LED : CREE XPE 1~3W
Lamp : E27 Max 60W
CCT : 2700K/3000K/4000K
Beam Angle : 30°or customized
Lumen : 120lm
Driver : UL/SAA/TUV/CE listed
Plug : Hard wired or custom wall plug
Installation : Surface Mounted
Switch : Twin Rocker Switch
Material: stainless steel lamp body
 +Linen fabric shade

CE Ⓢ ⚡ IP20



D:240MM H:500MM

Code : TP-CL-T01
Input : AC100~240V
LED : CREE XPE 1~3W
Lamp : E27 Max 60W
CCT : 2700K/3000K/4000K
Beam Angle : 30°or customized
Lumen : 120lm
Driver : UL/SAA/TUV/CE listed
Plug : EU/US/UK etc. wall plug lead
Installation : Recessed into wall/headboard
Switch : Twin rocker switch on base
Finish : Bright polished or custom make
Material: stainless steel lamp body
 +Linen fabric shade

CE Ⓢ ⚡ IP20 90° 350°

Collection Series 32



Code : TP-CL-F01
Input : AC100~240V
LED : CREE XPE 1~3W
Lamp : 2700K/3000K/4000K
CCT : 2700K/3000K/4000K
Beam Angle : 30°or customized
Lumen : 120lm
Driver : UL/SAA/TUV/CE listed
Plug : EU/US/UK etc. wire lead wall plug
Installation : Recessed into wall/headboard
Switch : Foot switch in line
Finish : Bright polished or custom make
Material: stainless steel lamp body
 +Linen fabric shade

CE Ⓢ ⚡ IP20

D:320MM H:1550MM



Collection Series 33



Code : TP-CL-W02
Input : AC100~240V
Lamp : E27 Max 60W
Plug : Hard wired or custom wall plug
Installation : Surface Mounted
Switch : Rocker Switch on plate
Finish : Bright polished or custom make
Material: stainless steel lamp body
+Linen fabric shade



W:180MM L:190MM H:330MM

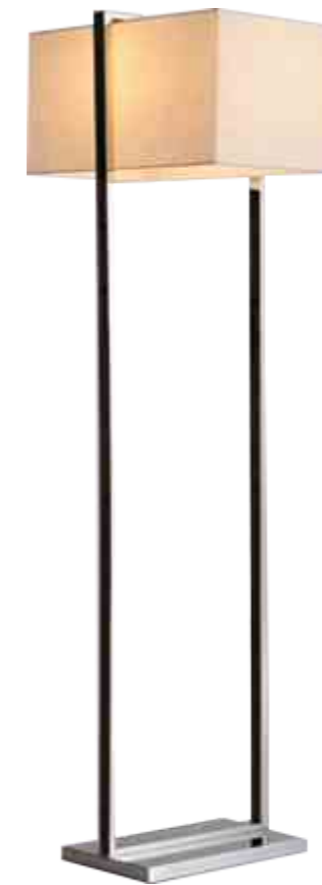


Code : TP-CL-T02
Input : AC100~240V
Lamp : E27 Max 60W
Plug : EU/US/UK etc. wire lead wall plug
Switch : on/off switch in line
Finish : Bright polished or custom make
Material: stainless steel lamp body
+Linen fabric shade



W:180MM L:120MM H:500MM

Collection Series 34



Code : TP-CL-F02
Input : AC100~240V
Plug : EU/US/UK etc. wire lead wall plug
Switch : Foot switch in line
Finish: Bright polished or custom make
Material: stainless steel lamp body
+Linen fabric shade



W:300MM L:180MM H:1500MM



Collection Series 35



Code : TP-CL-W03
Input : AC100~240V
LED : CREE XPE 1~3W
Lamp: E27 Max 60W
CCT : 2700K/3000K/4000K
Beam Angle : 30°or customized
Lumen : 120lm
Driver : UL/SAA/TUV/CE listed
Plug : Hard wired or custom wall plug
Installation : Surface Mounted
Switch : Twin Rocker Switch on plate
Finish : Bright polished or other custom make color
Material: stainless steel lamp body
 +Linen fabric shade



W:250MM L:150MM H:360MM

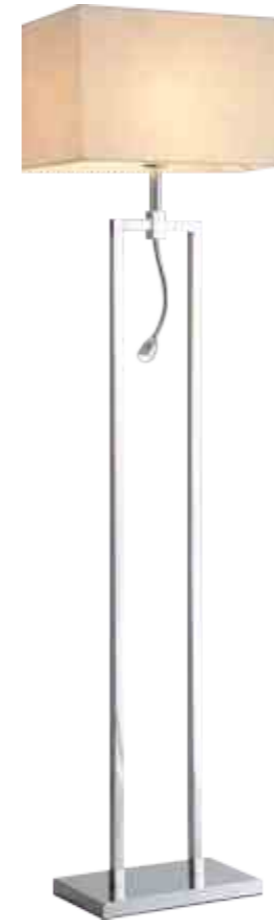


Code : TP-CL-T03
Input : AC100~240V
LED : CREE XPE 1~3W
CCT : 2700K/3000K/4000K
Beam Angle : 30°or customized
Lumen : 120lm
Driver : UL/SAA/TUV/CE listed
Plug : EU/US/UK etc. wire lead wall plug
Switch : Twin Rocker Switch on base
Finish : Bright polished or other custom make color
Material: stainless steel lamp body
 +Linen fabric shade



W:250MM L:150MM H:500MM

Collection Series 36



Code : TP-CL-F03
Input : AC100~240V
LED : CREE XPE 1~3W
Lamp : E27 Max 60W
CCT : 2700K/3000K/4000K
Beam Angle : 30°or customized
Lumen : 120lm
Driver : UL/SAA/TUV/CE listed
Plug : EU/US/UK etc. wire lead wall plug
Switch : Foot switch in line
Finish : Bright polished or other custom make color
Material: stainless steel lamp body
 +Linen fabric shade



W:380MM L:230MM H:1550MM



Collection Series 37



Code : TP-CL-W04
Input : AC100~240V
Lamp: E27 Max 60W
Plug : Hard wired or custom wall plug
Installation : Surface Mounted
Switch : Rocker Switch on plate
Finish : Bright polished or other custom make color
Material: stainless steel lamp body
+Linen fabric shade



W:150MM S:210MM H:245MM



Code : TP-CL-T04
Input : AC100~240V
Lamp : E27 Max 60W
Plug : EU/US/UK etc. wire lead wall plug
Switch : Rocker Switch on base
Finish : Bright polished or other custom make color
Material: stainless steel lamp body
+Linen fabric shade



D:240MM H:500MM

Collection Series 38



Code : TP-CL-F04
Input : AC100~240V
Lamp : E27 Max 60W
Plug : EU/US/UK etc. wire lead wall plug
Switch : Foot switch in line
Finish : Bright polished or custom make color
Material: stainless steel lamp body
+Linen fabric shade



D:320MM H:1550MM

